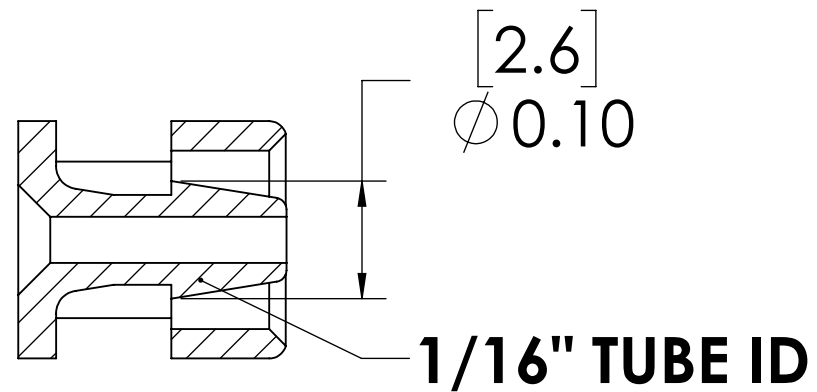
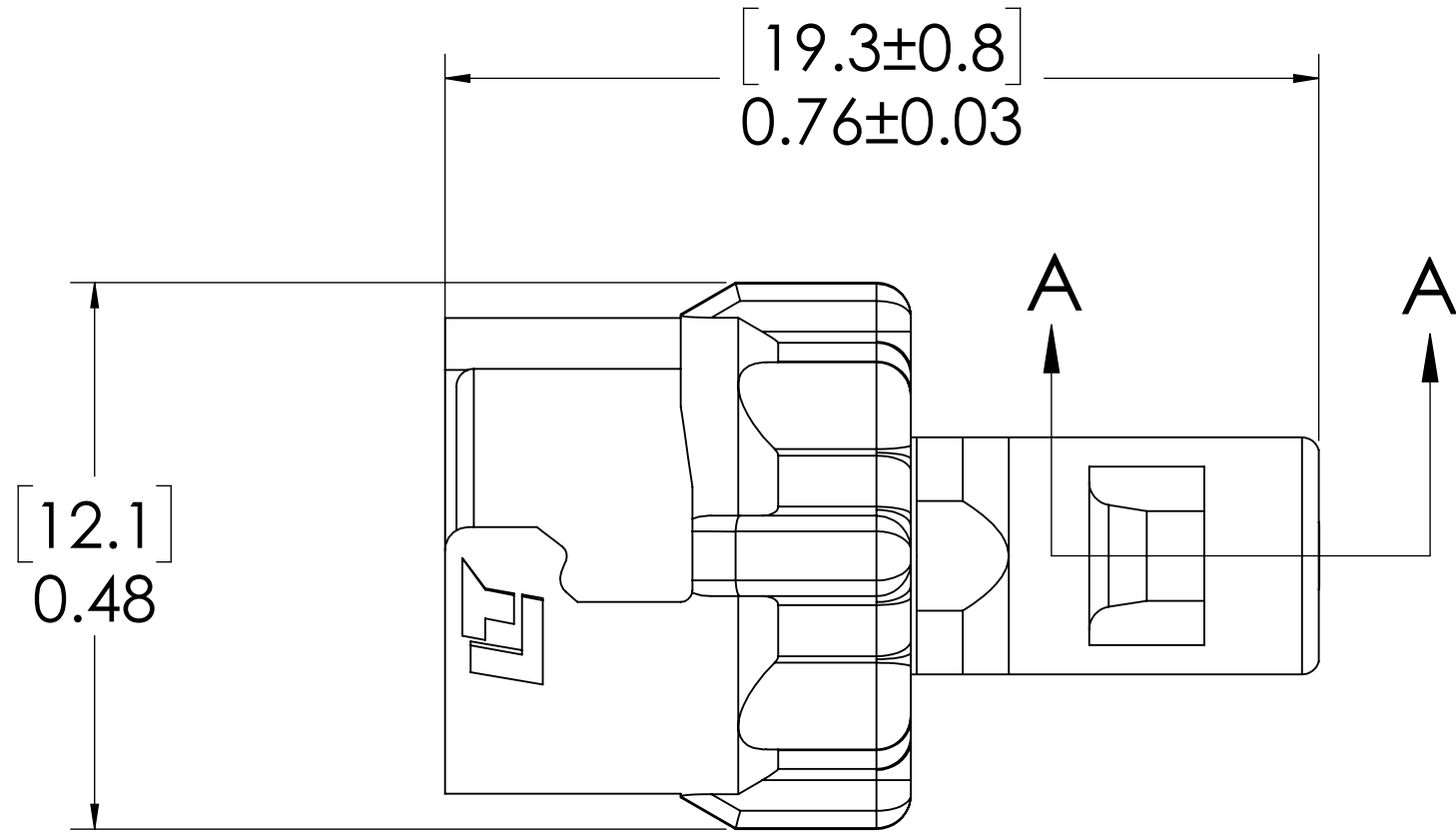
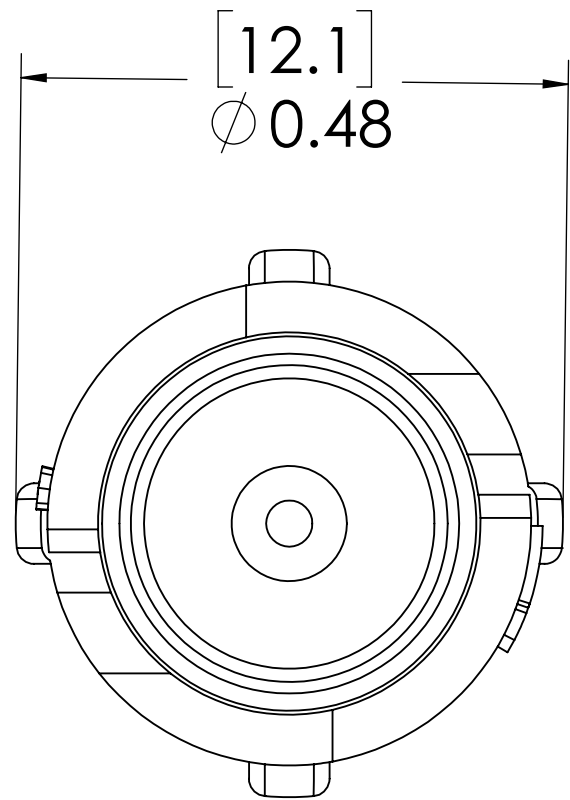
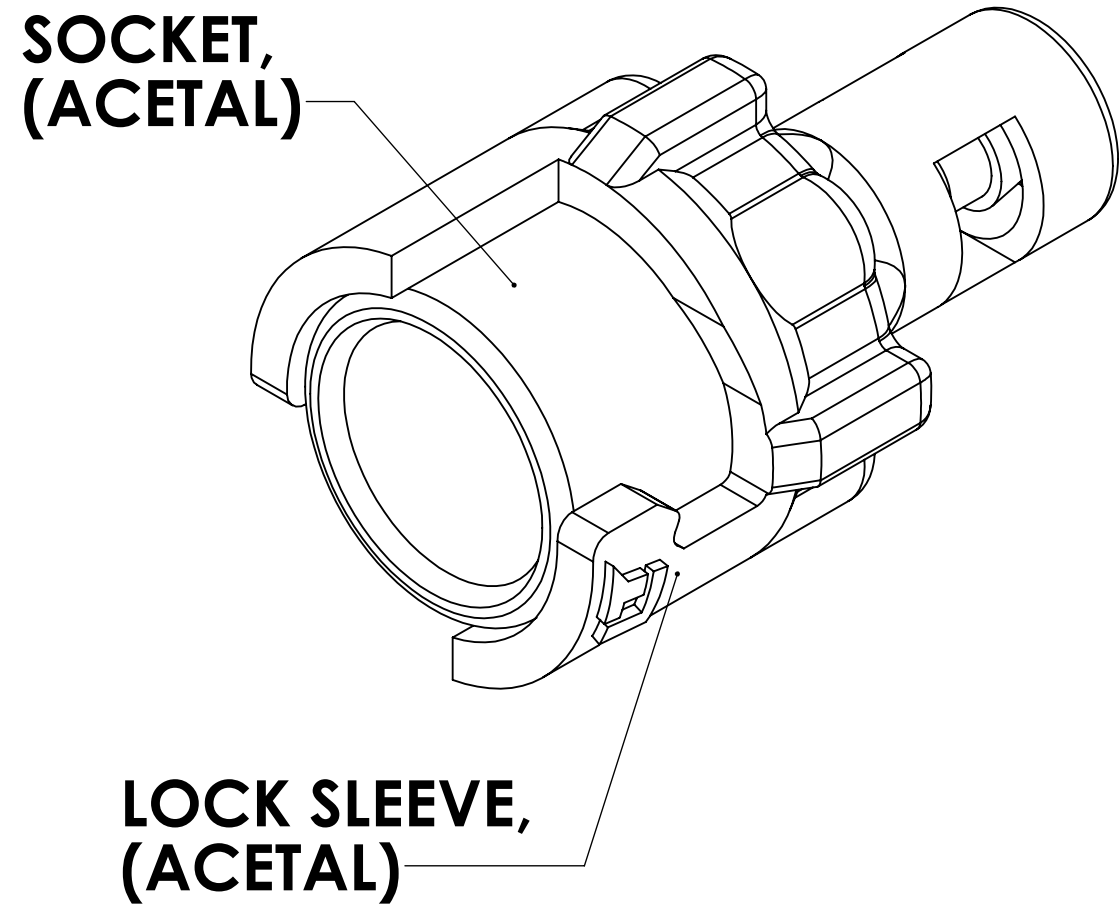


REVISIONS						
SHEET	ZONE	REV.	ECO	DESCRIPTION	DATE	APPROVED
1	ALL	A	50307	INITIAL RELEASE	1/10/2020	HRC



SECTION A-A  
SCALE 6 : 1



**FOR REFERENCE ONLY**

- NOTES:**
- MATERIAL: ACETAL
  - COLOR: BLACK

UNLESS OTHERWISE SPECIFIED: DIMENSIONS ARE IN INCHES TOLERANCES: FRACTIONAL ± 1/32 ANGULAR: MACH ± 0.5 BEND ± 2 ONE PLACE DECIMAL ± 0.1 TWO PLACE DECIMAL ± 0.01 THREE PLACE DECIMAL ± 0.005 TWO PLACE DUAL (mm) ± 0.12	DRAWN	RDA	10/14/2019	
	CHECKED	HRC	10/14/19	
	ENG APPR.	HRC	1/10/20	
	MFG APPR.	BDB	1/10/20	
PROPRIETARY AND CONFIDENTIAL THE INFORMATION CONTAINED IN THIS DRAWING IS THE SOLE PROPERTY OF LINKTECH LLC. ANY REPRODUCTION OR DISCLOSURE IN PART OR AS A WHOLE WITHOUT THE WRITTEN PERMISSION OF LINKTECH LLC IS STRICTLY PROHIBITED.	PURCHASING	LS	1/10/20	PART NO: 10AC-S2-01BLK DESCRIPTION: LinkTech 10AC Series Straight Female, Non-valved, 116 HB, Black, Natural Acetal
	COMMENTS:			SIZE DWG. NO. REV <b>C</b> 10AC100102 <b>A</b>
				SCALE: NTS WEIGHT: SHEET 1 OF 1